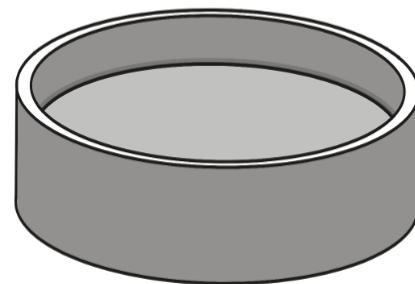


TUSCANICO

TUSCD42M

Washbasin cm Ø42x13H



Natural stone washbasin, carved from a solid single piece of white Carrara marble. The upper marble plane, liftable for inspection, standing on stainless steel support, (exclusive Filodesign system) allows water to flow along the perimeter towards the drain.)

Dimensions: Ø42 x h 13 cm.

Weight: 25 kg.

Material: White Carrara marble.

Details: Very easy to assemble. Instructions are included in the packaging of assembly.

Included accessories: Drain chromed steel 1" 1/4 - Rubinetterie Fratelli Frattini

Optional accessories: FRA 92672 CR Sifone in acciaio cromato 1" 1/4 - Rubinetterie Fratelli Frattini
CAST80MBN steel stand for sink with marble
CU20 small cabinet

Note: HANDLE WITH CARE - FINE NATURAL STONE

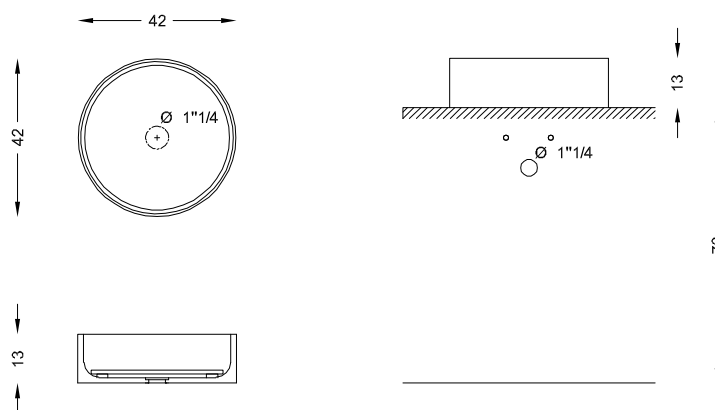
Maintenance: Use only neutral cleaning products, NON-ACID. It is recommended to use FILAREFRESH of FILA Company (Padova - Italy) info@filasolutions.com



DRAIN CHROMO BRASS FRA 92686 CR

INCLUDED

DIMENSIONS (cm)



filodesign[®]

DS EN - 0421

Filodesign s.a.s. - Via Baudenile 3 - 10040 Leini - Torino - Italy

<http://www.filodesign.it> - info@filodesign.it

The company Filodesign s.a.s. reserves the right to make modifications without prior notice. Any reproduction, even partial, is strictly prohibited.