

CASTLE C

CAST C B/N

Steel stand for TUSCANICO D42 cm Ø40x73 H

design Filodesign Team

Painted steel stand for sink Tuscanico D42 .
Leveling floor feet at the base.

Dimensions: Diameter 40 x h 73 cm.

Weight: 36 kg.

Material: White matt steel (RAL9010) or black matt (RAL9005)

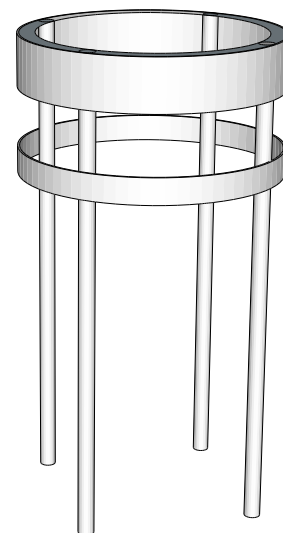
Details: La struttura consente l'eventuale fissaggio a parete.

Included accessories: -

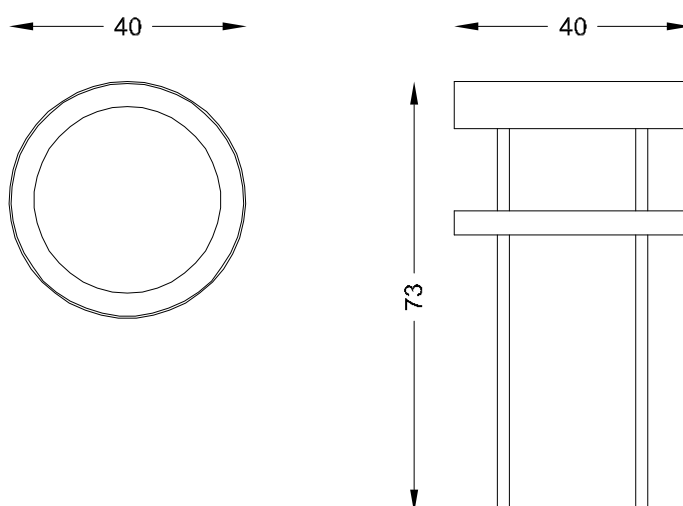
Optional accessories: -

Note: Solid tubular steel. Assembly no necessary.

Maintenance: Do not use steel wool or anything that may scratch the coating.



DIMENSIONS (cm)



filodesign[®]

DS EN - 0421

Filodesign s.a.s. - Via Baudenile 3 - 10040 Leini - Torino - Italy

<http://www.filodesign.it> - info@filodesign.it

The company Filodesign s.a.s. reserves the right to make modifications without prior notice. Any reproduction, even partial, is strictly prohibited.