

BED LED

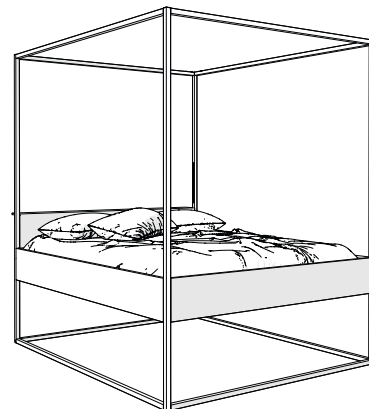
BEDL-IT 170 B

BEDL-IT 170 N

Double bed with canopy cm 170x223x220H

design Arch. Marco Pecchio Chiariglione

Double bed with canopy in painted tubular steel equipped with LED technology light(300 lm LED - separate dimmable ignition)
Available in white or black color matt.



Dimension: 170 x 223 x h 220 cm
Weight: 90 kg.
Material: White matt (RAL9010) or black matt(RAL9005) painted steel

Details: Very easy to assemble. Instructions are included in the packaging of assembly.

Included accessories: LED profiles, removable.

Optional accessories: BEDL-DO 160 B/N Bed base with wooden slats and steel structure. Available in white or black matt. 160x200x6 cm
BEDL-MA 160 MO Mattress with individual pocket springs 160x200x24 cm
BEDL-ZA 170 B Mosquito of white tulle open on 4 sides.

Note: IT IS RECOMMENDED A BED BASE PLACES ON ALL PERIMETER OF BED STRUCTURE

Maintenance: Do not use steel wool or anything that may scratch the coating. It is advisable to check the screws every two years.

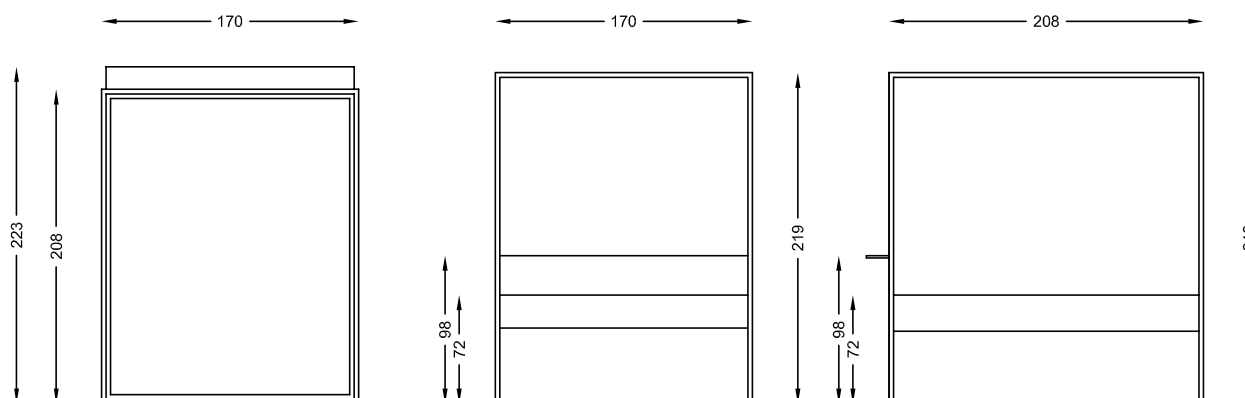


White RAL 9010



Black RAL 9005

DIMENSIONS (cm)



filodesign®

rev. DS BEDLIT170 EN - 1117

Filodesign s.a.s. - Via Baudenile 3 - 10040 Leini - Torino - Italy

<http://www.filodesign.it> - info@filodesign.it

The company Filodesign s.a.s. reserves the right to make modifications without prior notice. Any reproduction, even partial, is strictly prohibited.